

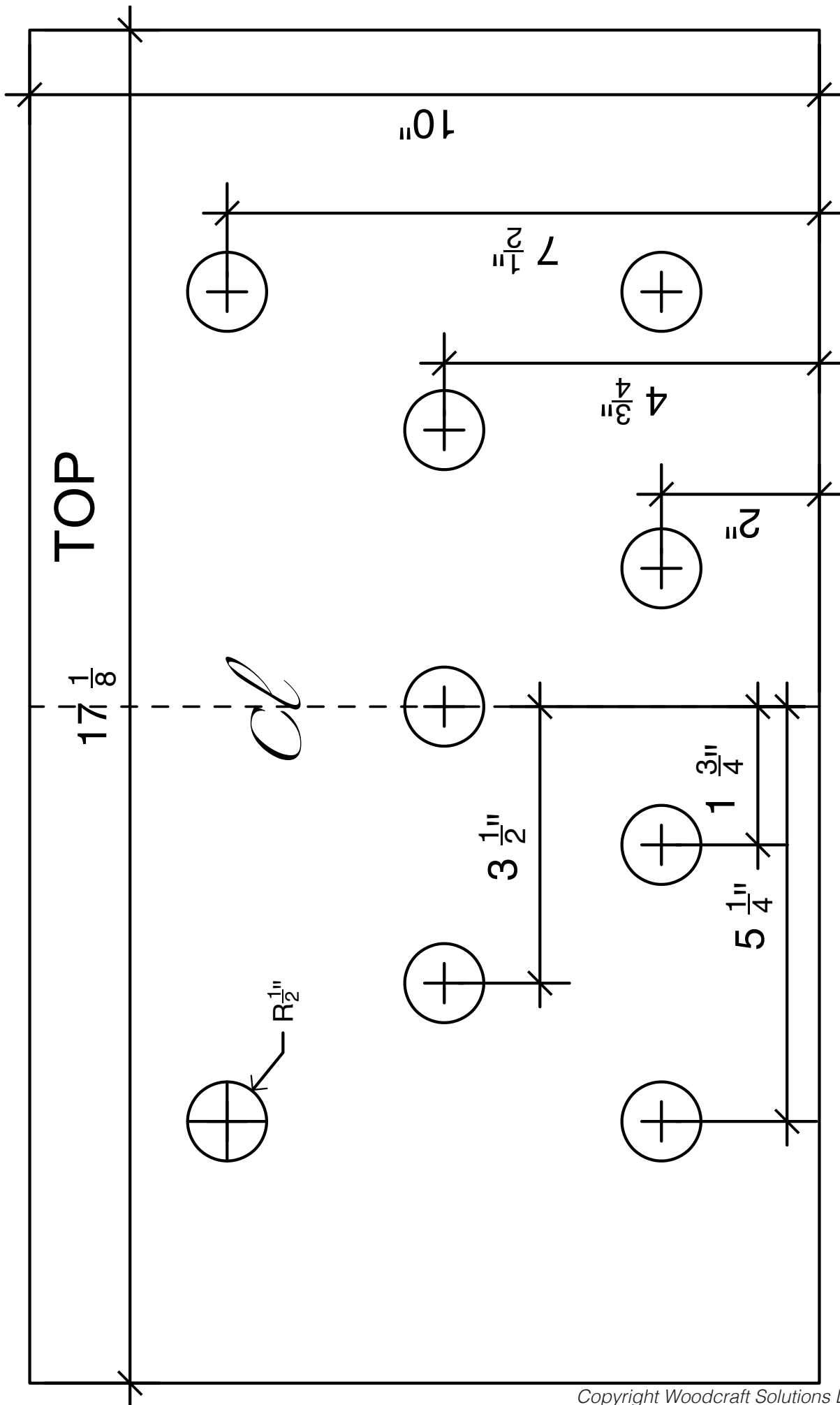
PantoRouter®

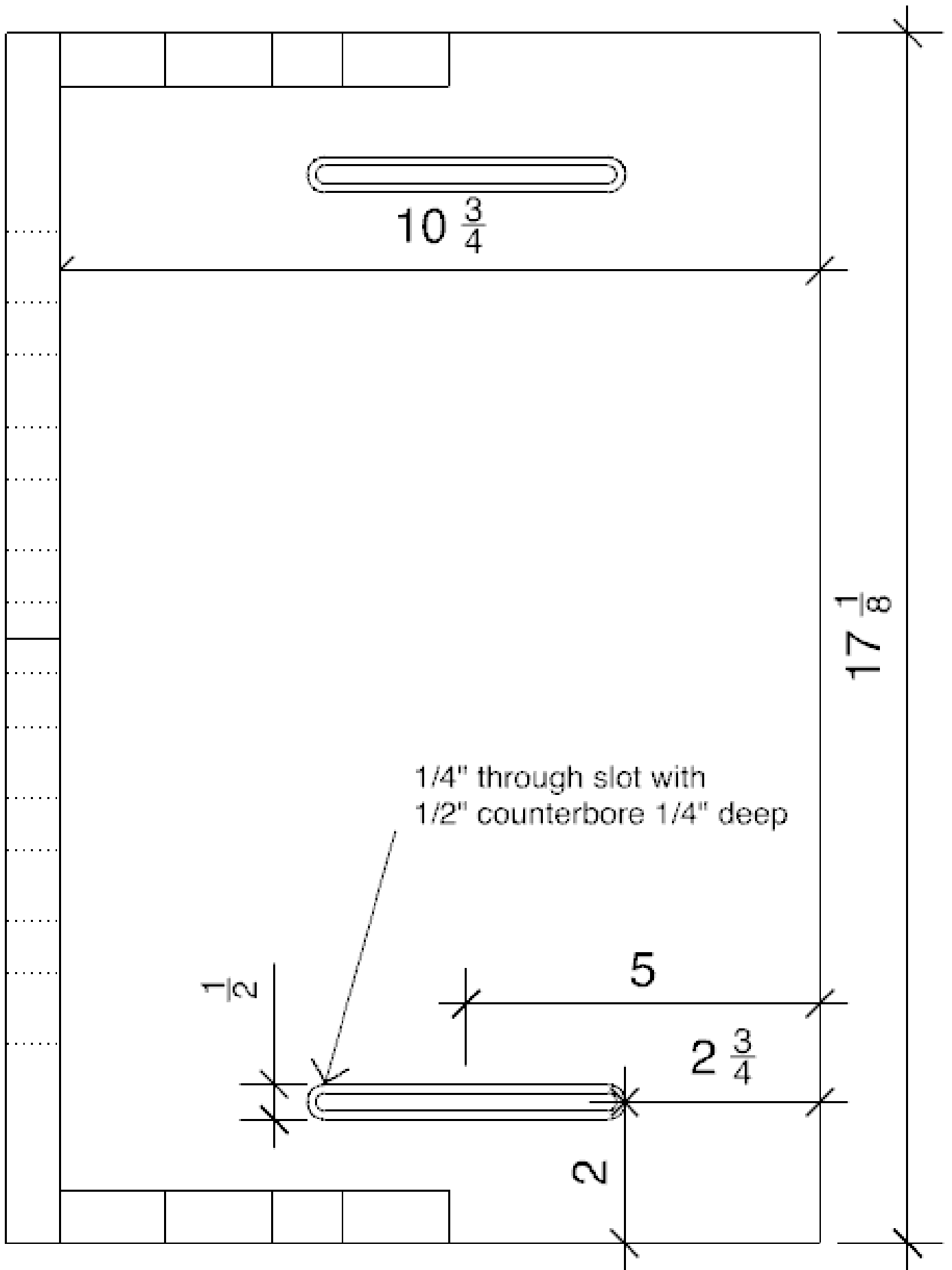
Vertical Clamping Jig

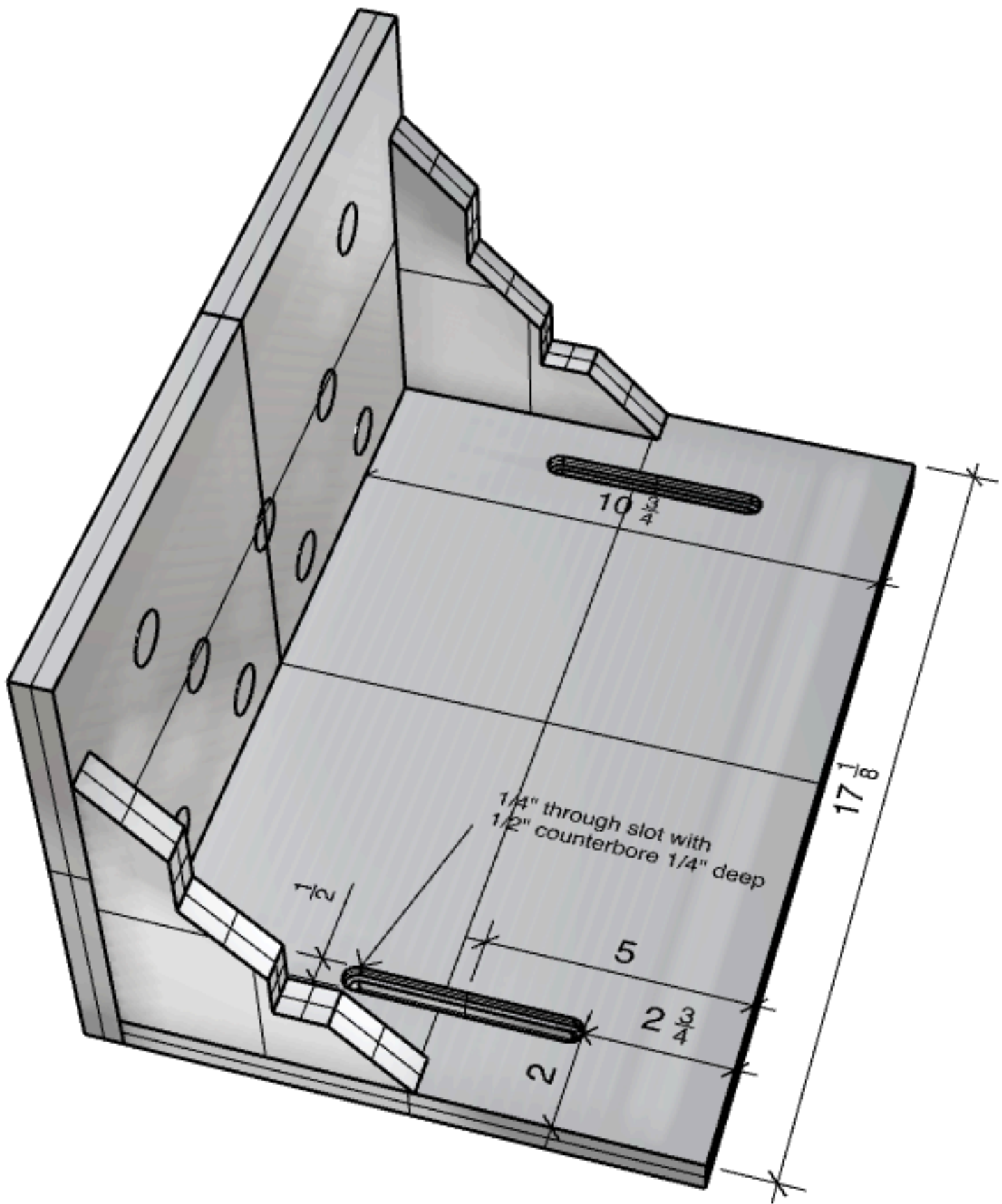


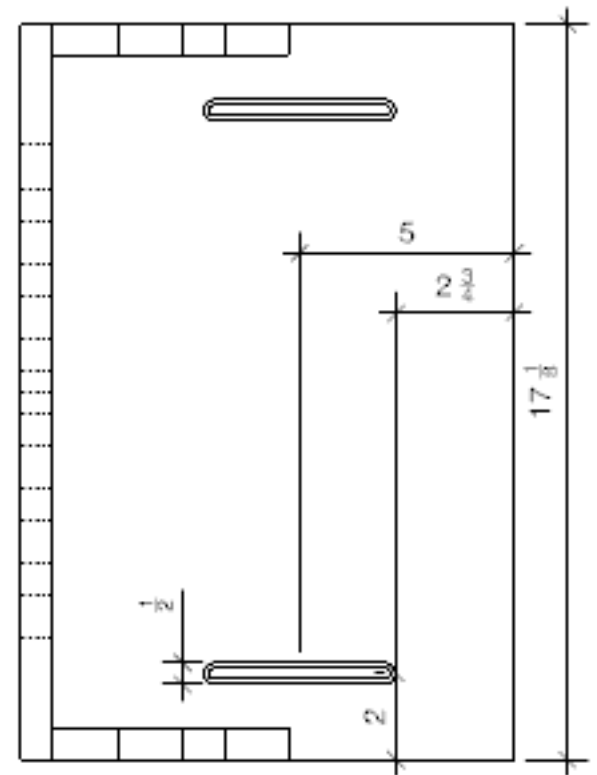
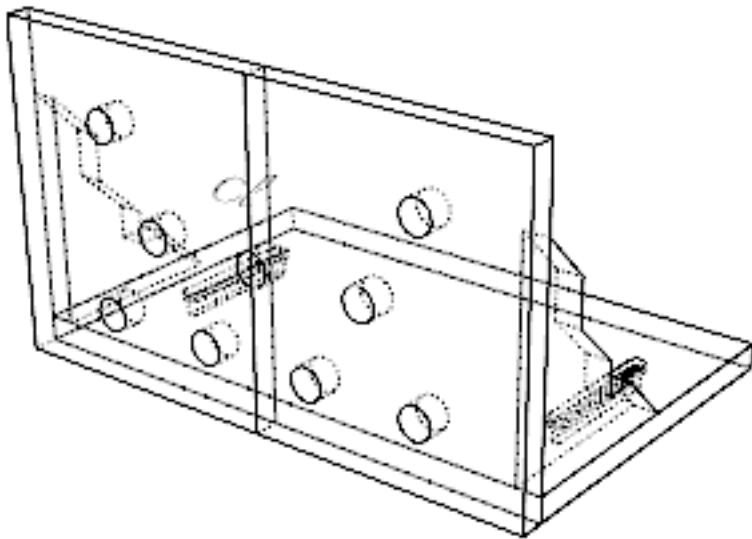
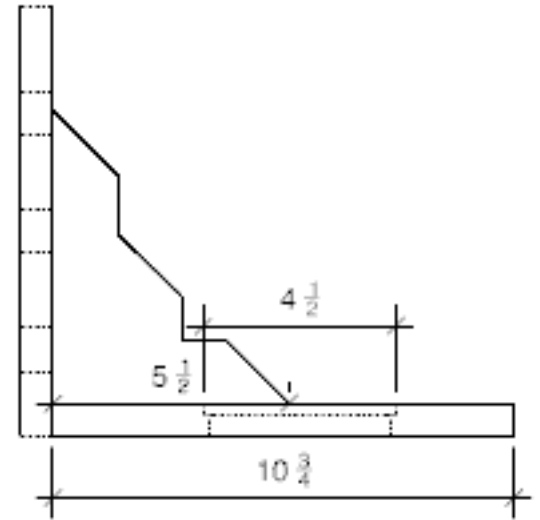
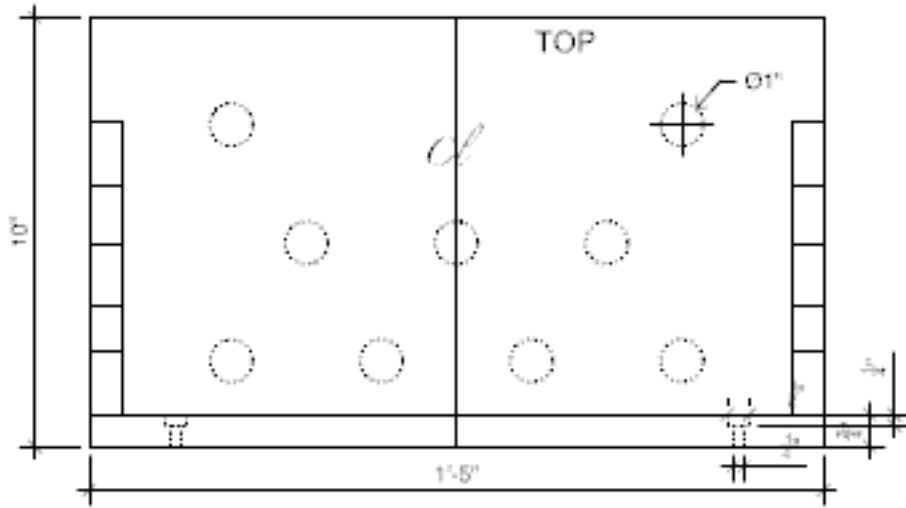
Materials:

Item	Material	Quantity	Length	Width	Thickness
Table	Plywood, (BB)	1ea	17-1/8"	10-3/4"	3/4"
Vertical surface	Plywood, (BB)	1ea	17-1/8"	10"	3/4"
Vertical supports	Plywood, (BB)	1ea	7-1/2"	6"	3/4"
Sacrificial face	MDF	1ea	17-1/8"	11"	1/4"
Extra sacrificial inserts	MDF	1ea	17-1/8"	7"	1/4"
T-slot foot nut	M6	2ea			
Table hold down screws	M6	2ea	20mm		
Wood screws		6 +/-	2"		
23ga pin nails		10 +/-	1-1/2"		
23ga pin nails		4 +/-	3/4"		
1/4"-20 machine screw		2ea	3/4"		
1/4"-20 threaded insert		2ea	5/8" +/-		



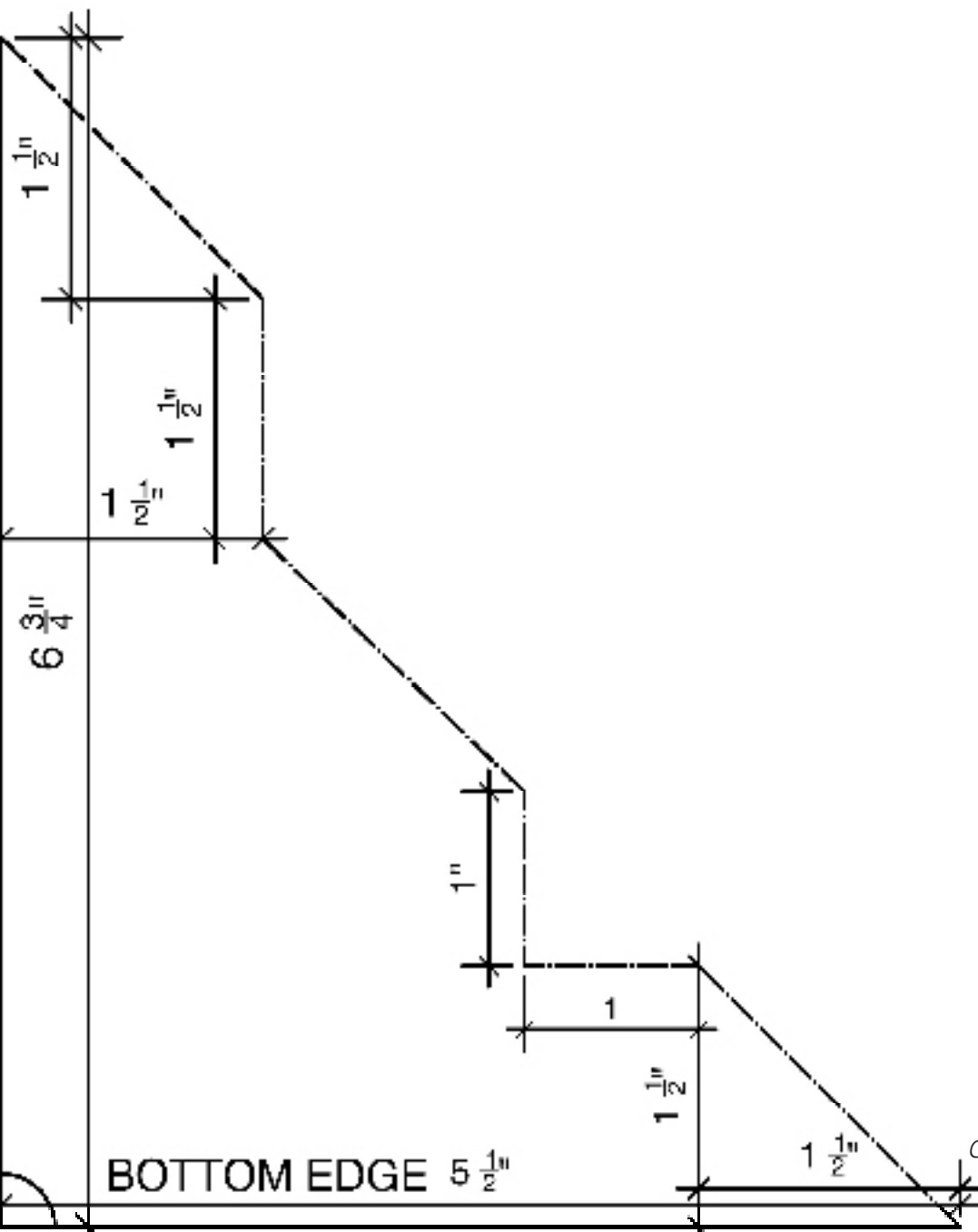






Vertical Support Template

Cut out this full scale template and trace it for the two vertical supports



Full Scale Hole Layout

